



ELECTROLUX OUTDOOR PRODUCTS

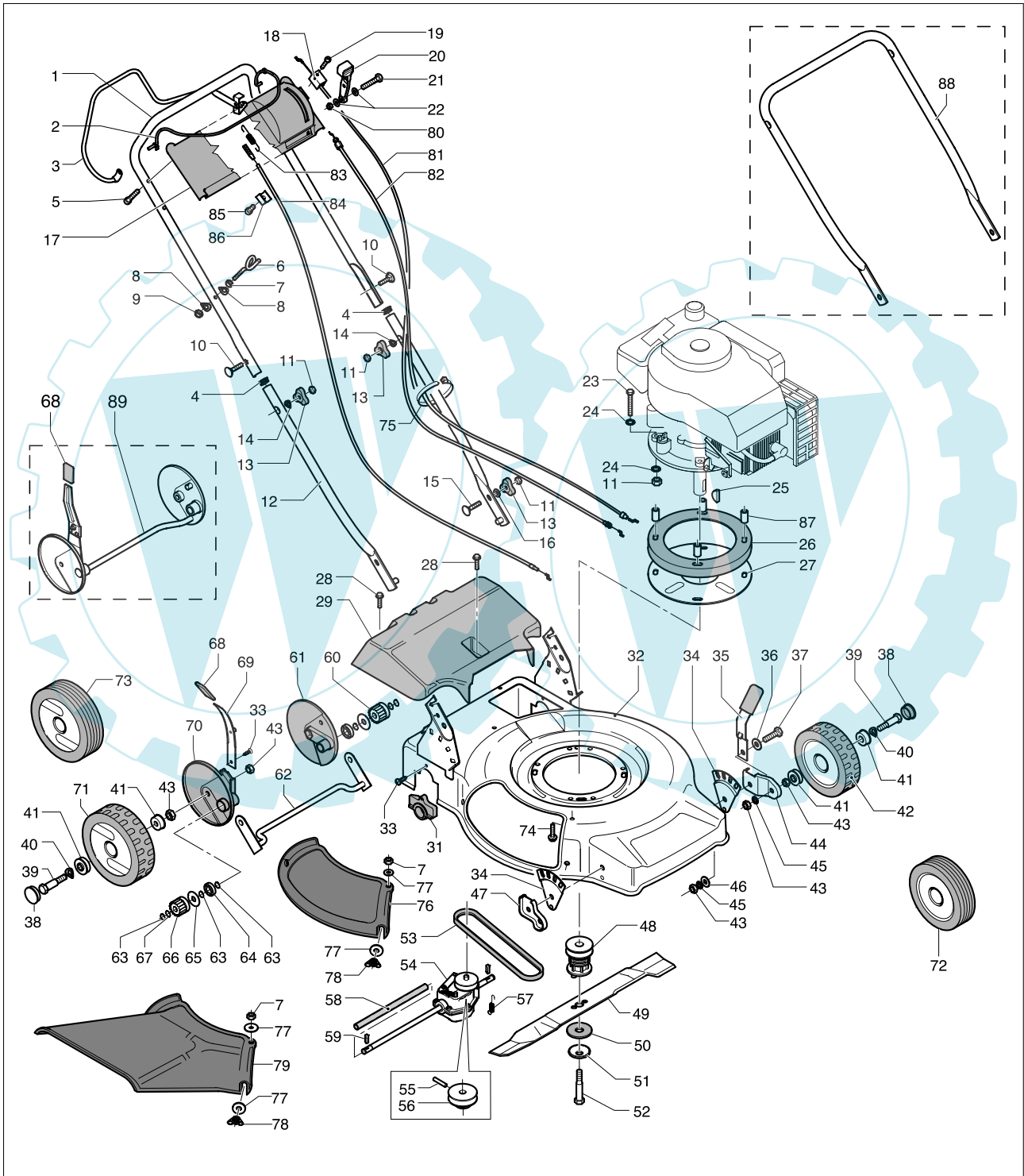
brand	MEP
-------	-----

date	JAN/02	SHEET 1/3
------	--------	-----------

Model

MP - ER 650SL

Product number



The Electrolux Group. The world's No.1 choice.

Ihr Ersatzteilspezialist im Internet

 **Electrolux**
ELECTROLUX OUTDOOR PRODUCTS

brand	MEP
-------	------------

date	JAN/02	SHEET 2/3
------	--------	-----------

MP - ER 650SL

Pos.	PN ELX	PN MEP	DESCRIZIONE	DESCRIPTION	DESCRIPTION	Q.ty	NOTE
1	531205112	10121203	manico superiore	upper handle	guidon superieur	1	
2	531205168	10121463	maniglia freno	lever	manette	1	
3	531205208	10121823	maniglia frizione	clutch lever	manette d'embrayage	1	
4	531208950	20833303	tappo	plug	bouchon	2	
5	531208844	20734900	vite	screw	vis	4	TCTC 4,3x16 FIX ZB
6	531205169	10121470	gancio	cable hook	crochet	1	
7	531207165	10501200	dado	nut	ecrou	2	M6 H6 UNI 5587-6S-ZB
8	531204961	10115900	rondella ondulata	washer	rondelle	2	6,5E
9	531208491	20281800	dado	nut	ecrou	1	M6H8UNI7473ZB
10	531207089	10402401	vite	screw	vis	2	TTSQ M8x50 TF ZB
11	531207982	20106300	dado	nut	ecrou	7	M8 H8 UNI 5587-6S ZB
12	531206071	10150133	manico inferiore	handle lowere	guidon inferieur	2	
13	531204923	10114303	pomolo	knob	poignée	4	
14	531207090	10402402	rondella ondulata	washer	rondelle	2	8,5
15	531204921	10114100	vite	screw	vis	2	TTSQ M8x25 T.FIL. ZB
16	531204922	10114200	rondella piana	washer	rondelle	2	8x16x1,5 ZB
17	531205132	10121251	plancia comandi	dash-board	planche	1	MP
17	531205133	10121252	plancia comandi	dash-board	planche	1	ER
18	531208043	20121983	supporto cavo	bearing	support	1	
19	531208217	20135730	vite	screw	vis	1	TCTC 2F D 5x25
20	531205139	10121263	leva acceleratore	lever	levier	1	
21	531207836	10830000	vite	screw	vis	1	TE M5x25 UNI 5739-8,8-ZB
22	531206666	10284700	rondella piana	washer	rondelle	2	5/15/1,5 ZB
23	531207107	10407800	vite	screw	vis	3	TE M8x65 UNI 5737-8,8-ZB
24	531207981	20106200	rondella dent.	washer	rondelle	6	D.8E DIN 6798
25	531204907	10100900	chiavetta	key	clavette	1	4x6,5 UNI6606 WODRUF
26	531207369	10600503	anello distanziatore	ring	anneau	1	
27	531207111	10425703	carter sottomotore	housing	carter	1	
28	531207120	10427400	vite	screw	vis	3	TEFR TC 4,8x13
29	531206227	10158253	carter protezione	safety housing	carter de protection	1	
31	531205944	10146093	supporto ass.post	support	support	2	
32	531211031	10177601	scocca	deck	chassis	1	MP
32	531211032	10177602	scocca	deck	chassis	1	ER
33	531208216	20135720	vite	screw	vis	3	TCTC2FD5x16 AC
34	531205925	10146010	supporto leva alz.	bearing	support	2	
35	531204913	10107203	leva alzaruote	lever	levier	2	
36	531206020	10146530	rosetta	washer	rondelle	2	UNI 8840 B12 (13/24/1)
37	531204912	10107100	vite	screw	vis	2	
38	531204936	10114804	tappo ruota	plug	bouchon	4	
39	531205042	10120090	vite speciale ruota	screw	vis	4	
40	531206644	10275100	rosetta	washer	rondelle	4	UNI 8840- B12(13/24/0,8
41	531205214	10121900	cuscinetto ruota	ball-bearing	roulement	8	
42	531204371	09120084	ruota anteriore	front wheel	roue anterieur	2	D170/26 TAC-MP
43	531207978	20101700	dado	nut	ecrou	10	M10 H8 UNI 5588-6S ZB
44	531204915	10107302	supporto ruota	wheel bearing	support de roues	1	DX
45	531208974	30102100	rondella dent.	washer	rondelle	4	10E


 **The Electrolux Group. The world's No.1 choice.**

Ihr Ersatzteilspezialist im Internet

brand	MEP
-------	-----

date	JAN/02	SHEET 3/3
------	--------	-----------

MP - ER 650SL

Pos.	PN ELX	PN MEP	DESCRIZIONE	DESCRIPTION	DESCRIPTION	Q.ty	NOTE
46	531207989	20113000	rondella piana	washer	rondelle	2	10x30x2,5
47	531204914	10107301	supporto ruota	wheel bearing	support de roues	1	SX
48	531207848	10831300	supporto lama	bearing blade	support lame	1	
49	531206546	10177510	lama	blade	lame	1	D.502MM
50	531207243	10531700	rondella friz.	washer	rondelle	1	17,2x50x1,5+0,1
51	531207237	10530900	rondella elastica	washer	rondelle	1	11x50x2,5
52	531206649	10280901	vite lama	screw	vis	1	TE D.3/8"UNF X65(8.8)
53	531206303	10160220	cinghia	belt	courroie	1	Z.29-L 730
54	531204761	O9768700	riduttore completo	reducer complet	reducteur complete	1	
55	531207703	10768400	spina elastica	resilient pin	goupile expansible	1	
56	531208899	20768203	puleggia riduttore	gear pulley	poulie reducteur	1	
57	531206235	10158320	molla tendiriduttore	spring	ressort	1	
58	531207697	10766503	tubetto distanziale	spacer tube	toyau entretoise	1	
59	531205108	10121160	chiavetta	key	clavette	2	"S" 5x5(- 0,05)x19,2 DIAG
60	531205046	10120170	pignone	pinion	pignon	1	SX
61	531205195	10121673	flangia assale	flange	bride	1	
62	531206233	10158300	assale	axle	assieu	1	
63	531208772	20655800	seeger	seeger	seeger	6	D.12E DIN 471
64	531208778	20657600	rondella piana	washer	rondelle	2	D.12/28/8 6001/2RS
65	531207847	10831200	cuscinetto	ball-bearing	roulement	2	D.12/34/0,7 ZB
66	531205045	10120160	pignone	pinion	pignon	1	DX
67	531208859	20761300	rondella temp.	washer	rondelle	2	D.12,4x17x0,3
68	531207986	20107203	guaina	sheating	gaine	1	
69	531205228	10121970	leva alzaruote	lever	levier	1	
70	531205194	10121663	flangia assale	flange	bride	1	
71	531204367	O9120064	ruota posteriore	posterior wheel	roue posterieur	2	D190/26 TAC-MP
72	531204395	O9121574	ruota anteriore	front wheel	roue anterieur	2	D170/26 RIG-ER
73	531204391	O9121554	ruota posteriore	posterior wheel	roue posterieur	2	D190/26 RIG-ER
74	531208053	20122600	vite	screw	vis	3	M6x20 TE FL
75	531205581	10135600	fascetta	clamp	colier	2	160X4,5
76	531206237	10158353	coperchio	cover	couvercle	1	
77	531205377	10126000	rondella piana	washer	rondelle	3	6x18x1,5
78	531206263	10158520	dado	nut	ecrou	2	D.M6
79	531206238	10158363	paratoia laterale	deflector	deflecteur	1	
80	531208492	20282100	dado	nut	ecrou	1	M5 H7 UNI7473- ZB
81	531205192	10121620	cavo freno	cable	cable	1	TECNA 1420/141,5
81	531205191	10121610	cavo freno	cable	cable	1	B&S
81	531205813	10140950	cavo freno	cable	cable	1	1097/148 HONDA
82	531206033	10146730	cavo acceleratore	accelerator cable	cable accellerateur	1	1130-152 TECNA-HONDA
82	531207754	10800400	cavo acceleratore	accelerator cable	cable accellerateur	1	mm 1100/80 B&S
83	531205215	10121910	molla	spring	ressort	1	mm 1385/80
84	531206000	10146340	cavo frizione	clutch cable	cable d'embrayage	1	
85	531207937	10878000	vite	screw	vis	1	TCTC 3,9x16
86	531207923	10876103	supporto cavo	bearing	support	1	
87	531208732	20603300	bussola	bush	douille	3	D13/10/32
88	531205118	10121213	manico inferiore	handle lowere	guidon inferieur	1	
89	531211195	10177620	assale posteriore	rear axle	assieu arriere	1	

